

#14425 Thompson Dresser Kit

Step-by-step assembly instructions

Copyright miniatures.com 2024

PARTS LIST:

Dresser Top
Dresser Bottom
Dresser Left Side
Dresser Right Side
Dresser Back
Dresser Divider (2)
Drawer Bottom (3)
Drawer Side (6)
Drawer Back (3)
Drawer Front (3)
Drawer Front Panel (3)



GENERAL INSTRUCTIONS

- Identify and inspect all parts using the Parts List.
- Thoroughly read the directions before starting.
- Set up a dedicated work area to avoid the need to unpack, repack, or move the project frequently.
- Use a clean, level, and dry work surface protected from glue spills.
- Dry fit the parts using masking tape to ensure everything aligns correctly before permanent assembly.

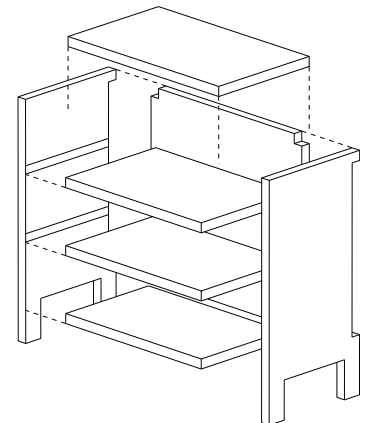
Assembly Instructions

DRESSER

Parts you will need:

- Dresser Top
- Dresser Bottom
- Dresser Back
- Dresser Left Side
- Dresser Right Side
- Dresser Divider (2)

1. Build a box around the **Back** using the **Sides, Top, and Bottom** following their tab & slot patterns. Orient the etched lines to the interior. All edges are flush.
2. Glue the **Dividers** inside. They join the **Back** and **Sides** along the etched lines.
3. Square the assembly and let the glue dry.

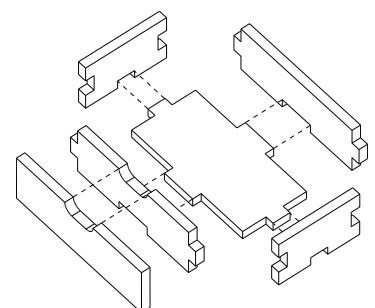


DRAWER

Parts you will need

- Drawer Bottom (3)
- Drawer Side (6)
- Drawer Back (3)
- Drawer Front (3)
- Drawer Front Panel (3)

1. Build a box around a **Bottom** using two **Sides, a Back, and a Front**. Note that the **Back** has one rectangular slot. The **Front** has a rectangular slot and a rounded handle.
2. Glue the **Front Panel** to the drawer front. Note that the **Front Panel** has a rounded handle. It is flush along all edges.
3. Put aside to dry.
4. Repeat for the other two drawers.
5. Insert the drawers into the dresser. Sand if needed.



Assembly is complete. Enjoy finishing as desired.

Parts Diagram

Note: Not to scale

